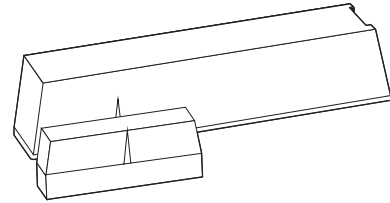


# Learn Mode™ Slim Line Door/Window Sensor

ITI Part No. 60-499

Document Number: 46-549-01 Rev. E  
November 1999



## Installation Instructions

### Product Summary

The Learn Mode™ Slim Line Door/Window Sensor detects the opening of various doors, windows, and drawers. The sensor utilizes ITI Learn Mode technology to simplify sensor programming, and contains an RF transmitter and one magnetic reed switch.

The sensor can be used in UL Listed residential installations with the following ITI panels and receivers: Commander® 2000 (60-437), UltraGard® (60-650), Simon® (60-693), Concord™ (60-734, 60-792-95R), Concord Express™ (60-806-95R), RF7434-ITI and RF7435-ITI (60-731), when used in conjunction with the DS7400Xi Control/Communicator.

The sensor can also be used in UL Listed commercial installations with the following ITI panels and receivers: RF7434-ITI and RF7435-ITI (60-731), and Concord™ (60-734, 60-792-95R), when used in conjunction with the DS7400Xi Control/Communicator.

### How It Works

With the panel in program mode, the installer trips the sensor tamper switch by opening its cover. The sensor transmits a unique ID which the panel “learns.”

When the door or window is opened, the sensor transmits a “TRIP” signal. When the door is closed, a “RESTORE” signal is transmitted. These signals are sent whether the system is armed or not.

The sensor transmits a supervisory signal every 64 minutes. When the sensor battery voltage is low, a low battery (trouble) signal is sent to the panel. The sensor has an estimated battery life of 3 to 5 years (battery life not verified by UL).

### Tools Needed

- Small Phillips Screwdriver
- Two #6 Pan Head Screws
- Two #6 x 1/2 in. Pan Head Screws or Two #18 x 1/2 in. Wire Nails

### Guidelines

Determine the best mounting location for the sensor using the following guidelines:

#### DO

- Try to keep all sensors within 100 feet of the panel. The 100 foot distance recommendation is given as a starting guideline. The sensor has an open air range of over 500 feet, but the installation environment will influence this range. Mount sensor on door frame, magnet on door. For double door installation mount sensor on least used door, magnet on other.
- Mount sensors with screws, not double sided tape.

#### DO NOT

- Place sensors on a door within 5 in. of the floor to avoid damage to the sensors.
- Place sensors or magnets on any metallic surface such as metal doors or foil wallpaper.
- Place sensors in areas with excessive metal or electrical wiring, such as furnace/utility rooms.
- Place sensors in areas where they will be exposed to moisture. Sensors are for indoor use only.
- Place sensors in locations where the temperature will exceed sensor operating limits of 10 to 120° F.
- Place sensors or magnets where they will interfere with door or window opening.

### Mounting the Sensor

1. Remove the sensor cover by pressing on the cover release catch. This releases the tab on the base from the slot in the sensor cover (see Figure 1).

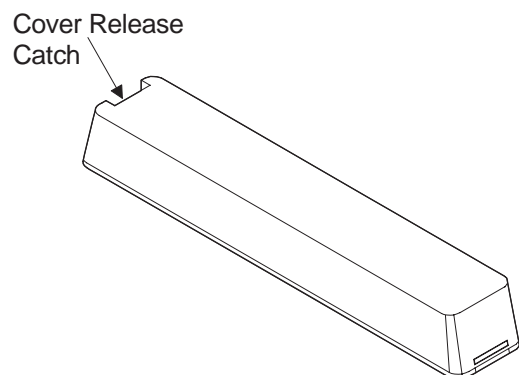


Figure 1. Removing the Sensor Cover

- Mount the sensor base. Two screw holes are provided, one is enlarged to allow for sensor alignment. Use #6 pan head screws when mounting the sensor. Two small additional holes are provided for mounting the sensor with #18 x 1/2 in. wire nails (brads) and a brad driver (see Figure 2).

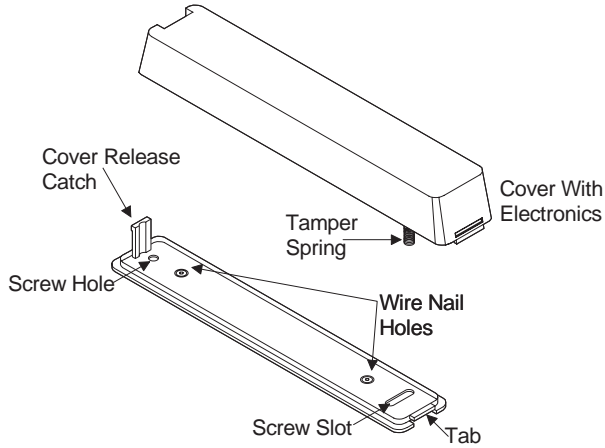


Figure 2. Sensor Mounting Holes/Tamper Spring

- Mount magnet base within 3/8 in. of the sensor base, centered on the notch or tab. Use two #6 x 1/2 in. pan head screws or #18 x 1/2 in. wire nails (see Figure 3).

**Note**

Be sure magnet does not interfere with door or window opening. Do not use double sided tape to mount magnet.

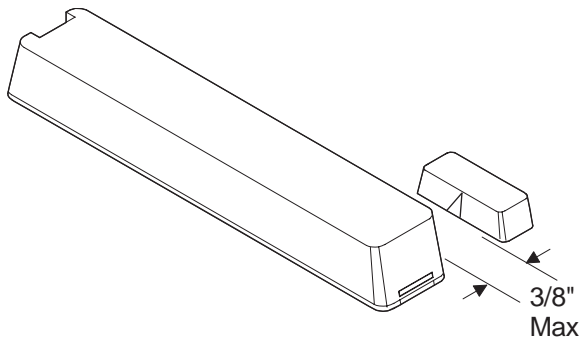


Figure 3. Aligning the Sensor and Magnet

- Replace the sensor cover.

## Programming

The following steps describe the general guidelines for programming (learning) the sensor into panel memory. Refer to the specific panel installation instructions or reference manual for complete programming details.

- Set the panel to program mode.
- Proceed to the LEARN SENSORS menu.
- Select the appropriate sensor group and sensor number assignments.

- When prompted by the panel to trip the sensor, activate the sensor tamper switch by removing the sensor cover.
- Replace the sensor cover and exit programming mode.

## Testing

The following steps describe the general guidelines for performing a dealer sensor test. Refer to the specific panel installation instructions or reference manual for complete testing details.

- Use the panel touchpad to enter the dealer sensor test mode.
- Trip the sensor by opening door or window.
- Listen for the appropriate siren response as described in the panel installation instructions.

## Specifications

Compatibility:	All ITI Learn Mode Panels and Receivers
Power Source:	One 3.5 VDC Lithium Battery
Temperature Range:	10 to 120 °F
Dimensions:	Sensor- 4.90" x 0.94" x 0.90" Magnet- 1.50" x 0.50" x 0.50" All Dimensions (L x W x D)

## Notices

This device complies with FCC Rules Parts 15 and 68. Operation is subject to the following two conditions:

This device may not cause harmful interference.

This device must accept any interference that may be received, including interference that may cause undesired operation.

Changes or modifications not expressly approved by Interactive Technologies, Inc. can void the user's authority to operate the equipment.



**INTERACTIVE TECHNOLOGIES, INC.**

2266 SECOND STREET NORTH  
NORTH SAINT PAUL, MN 55109

T: 651-777-2690

F: 651-779-4890

WIRELESS

Security

Automation

Access Control

ITI, Commander, UltraGard, and Simon are registered trademarks of Interactive Technologies, Inc. Learn Mode, Concord, and Concord Express, are trademarks of Interactive Technologies, Inc.